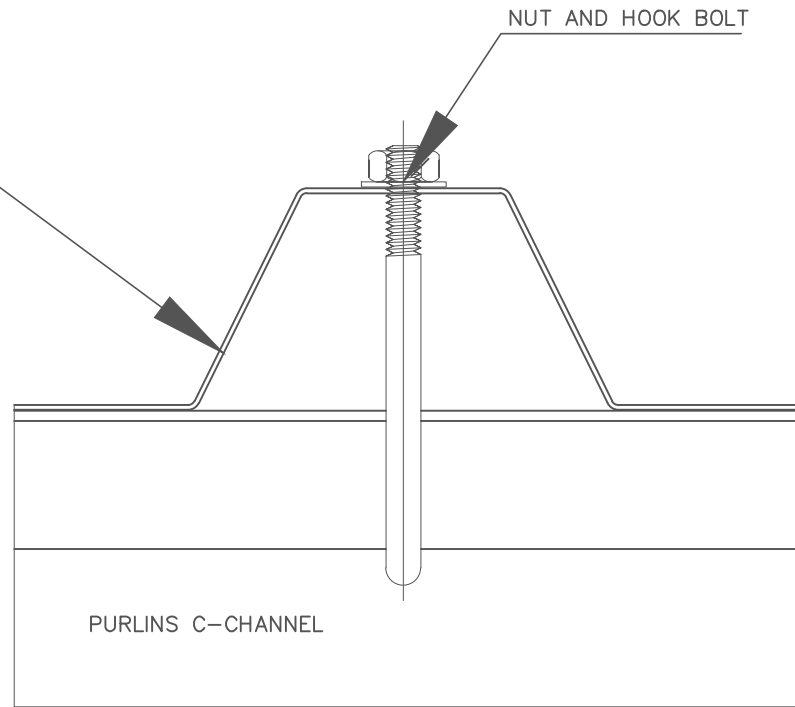


POLYMAT ROOF

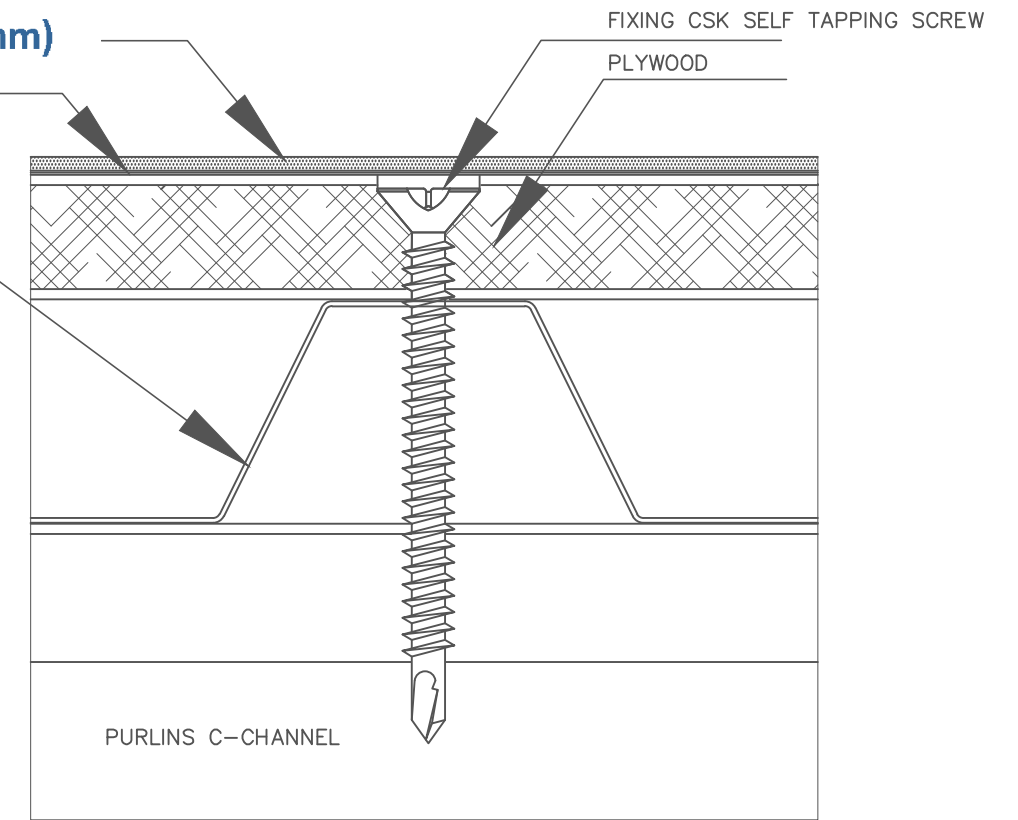
POLYMAT ROOF UV-R 1.50mm (1.20mm)

ROOF CORRUGATED SHEET
0.7mm THK.x32x300



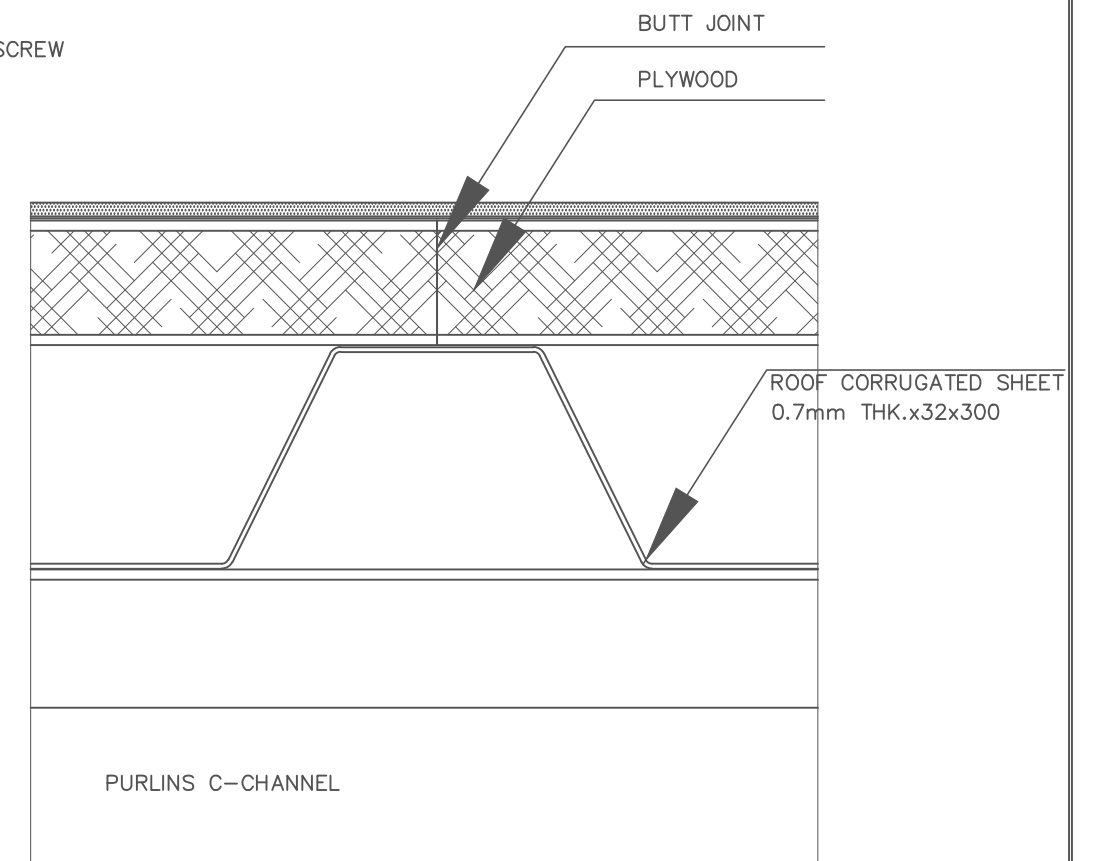
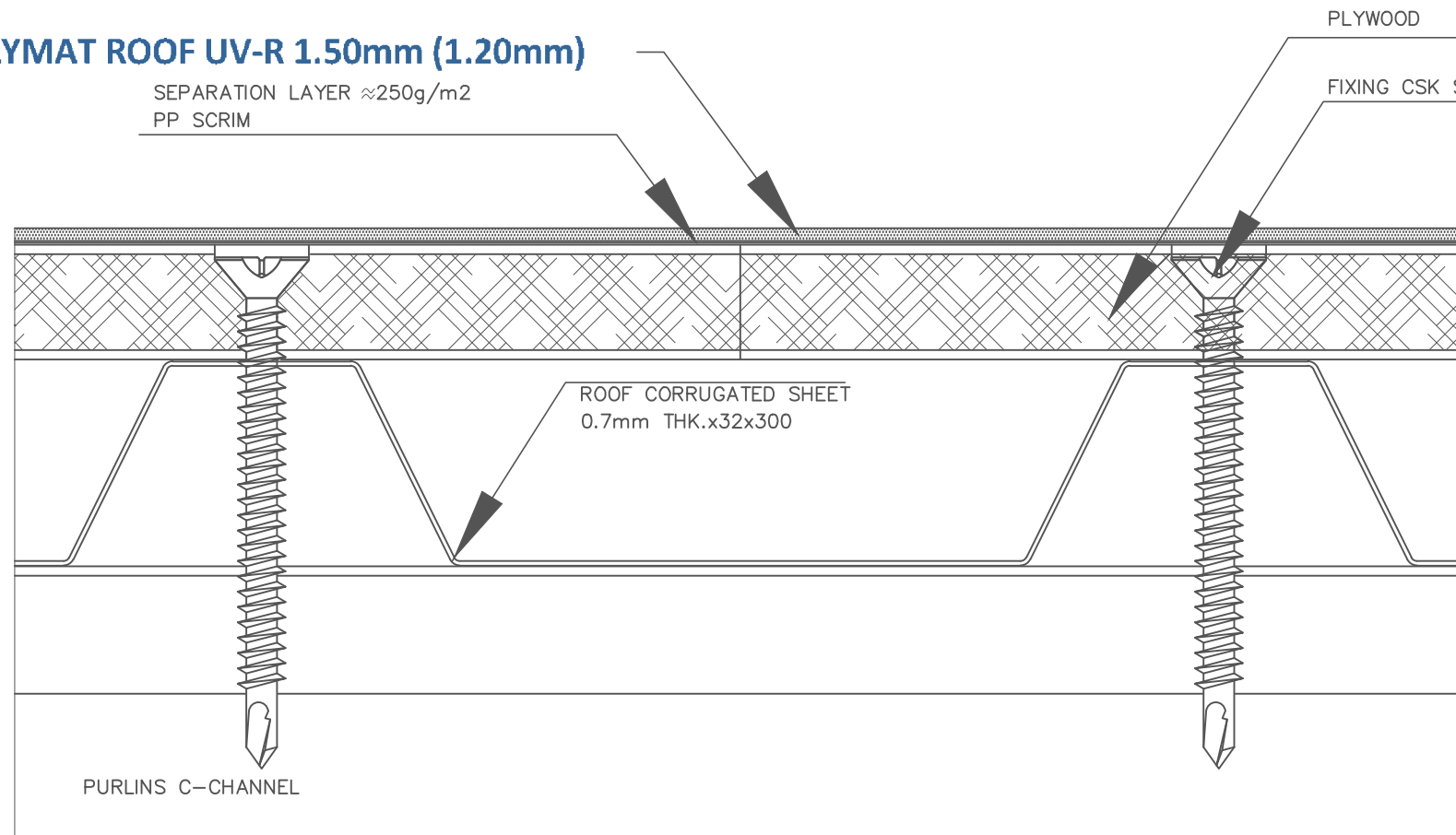
SEPARATION LAYER ≈250g/m2
PP SCRIM

ROOF CORRUGATED SHEET
0.7mm THK.x32x300



POLYMAT ROOF UV-R 1.50mm (1.20mm)

SEPARATION LAYER ≈250g/m2
PP SCRIM



FIXING DETAILS



BITUMAT COMPANY LIMITED

P.O. Box 7487, Dammam 31462, Kingdom of Saudi Arabia
Tel. No. (+966-13) 8121210 / 8121213
Fax No. (+966-13) 8121190
Google Earth Address: 2608 34327-6935
Website: www.bitumat.com

THIS DRAWING IS FOR ILLUSTRATIVE PURPOSES ONLY OF PROFILES SHOWN IN OUR OFFICIAL CATALOGUE. ALL PROFILES MUST BE VERIFIED AND APPROVED BY THE AUTHORIZED REPRESENTATIVE OF BITUMAT BEFORE ANY ACTION IS TAKEN.

DRAWING TITLE
POLYMAT PVC - SINGLE PLY ROOF REFURBISHMENT: CORRUGATED METAL DECK (Single Skin or SW-Panel)

SHEET CONTENTS : EXPOSED ROOFING DETAILS

| REMARKS | REVISION | | DRAWN BY : | DWG. No. |
|---------|----------|--------|--------------|-------------|
| | 0.0 | DATE : | | |
| | | | CHECKED BY : | MS.01.01-05 |
| | | | DATE : | |
| | | | REF. NO. | |